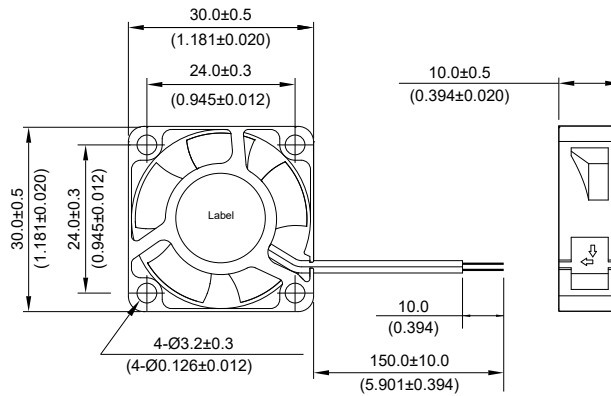




# DC AXIAL FAN 3010 series

**SIZE: 30 x 30 x 10 mm**

## ■ DIMENSIONS DRAWING

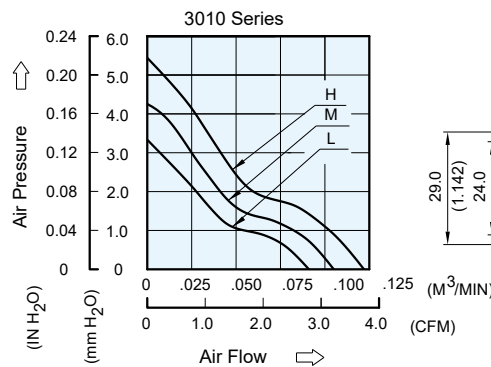


UNIT:  $\frac{\text{mm}}{\text{(INCH)}}$

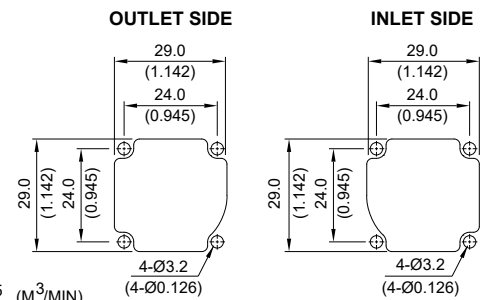
- \* Bearing Type:  
Sleeve Bearing / 2Ball Bearing
- \* Material:  
Impeller & Frame : Plastic (UL 94V-0)
- \* Lead Wires :  
UL 1061 AWG #26 OR Equivalent  
Red Wire Positive (+)  
Black Wire Negative(-)
- \* Weight : 7.4g (0.26 oz)
- \* Rib Type Only
- \* Storage Temperature: -40C° to +75C°
- \* Operating Temperature: -10C° to +70C°



## ■ P & Q CURVE (AT RATED VOLTAGE)



## ■ MOUNTING PANEL CUTOUT



UNIT:  $\frac{\text{mm}}{\text{(INCH)}}$

MODEL		Rated Voltage	Operating Voltage Range	Rated Current	Rated Input Power	Speed	Maximum Air Flow		Maximum Air Pressure		Noise
PART NO.	Bearing Type	VDC	VDC	Amp	Watt	R.P.M.	m <sup>3</sup> /min	CFM	mmH <sub>2</sub> O	IN H <sub>2</sub> O	dB-A
YH3010L05D	BB	5	4.5 to 5.5	0.10	0.50	8000	0.091	3.21	3.33	0.131	21.0
YH3010L12D	BB	12	7.0 to 13.8	0.05	0.60						
YH3010M05D	BB	5	4.5 to 5.5	0.11	0.55	9000	0.105	3.72	4.25	0.167	23.0
YH3010M12D	BB	12	7.0 to 13.8	0.06	0.72						
YH3010H05D	BB	5	4.5 to 5.5	0.14	0.70	10500	0.122	4.30	5.44	0.214	27.0
YH3010H12D	BB	12	7.0 to 13.8	0.07	0.84						

- \* Bearing System SE:Sleeve Bearing BS:1Ball+1Sleeve BB: 2Ball Bearing LF: Long Life Bearing
- \* Function type is optional.
- \* The max. air flow and the speed are measured in free air ; max. air pressure is measured at zero air flow.
- \* Noise is measured in anechoic chamber in free air, one meter from intake side.
- \* All readings are typical values at rated voltage.
- \* Specifications are subject to change without notice.